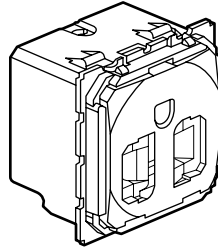


Céliane™
2P+E US socket outlets

Cat. No(s): 671 57



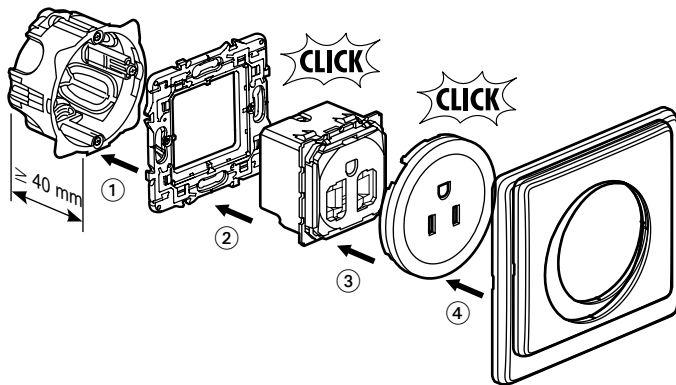
1. USE

Socket outlets to US standard.

2. RANGE

	Designation	Cat. No.	Nbr. of modules	Connection method	Fixing method	Weight (g)	General characteristics
	2P+E US standard socket	671 57	2	with screws	with clips	38.5	15 A - 127 V~

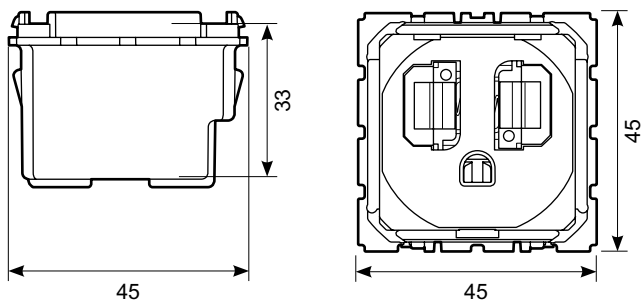
3. INSTALLATION



- 1 - Clip the front of the mechanism onto the support frame.
- 2 - Clip the cover plate onto the mechanism.
- 3 - Clip the plate onto the support frame.

The mechanism can be flush- or surface-mounted.

4. OVERALL DIMENSIONS



5. CONNECTION

Terminal type: saddle
Terminal capacity: 2 x 4 mm²
Stripping length: 9 mm

6. OPERATION

Conventional operation by inserting or removing an industry-standard plug.

7. TECHNICAL DATA

7.1 Mechanical characteristics

Impact resistance: IK 04
Penetration by solid/liquid bodies: IP 20

7.2 Material characteristics

Mechanism: Polycarbonate
Cover plate: Polycarbonate

7.3 Electrical characteristics

Self-extinguishing: 850 °C / 30 s.

7.4 Climatic characteristics

Storage temperature: -10 °C to +70 °C
Operating temperature: -5 °C to +50 °C

8. CONFORMITY AND APPROVALS

Approvals pending: none